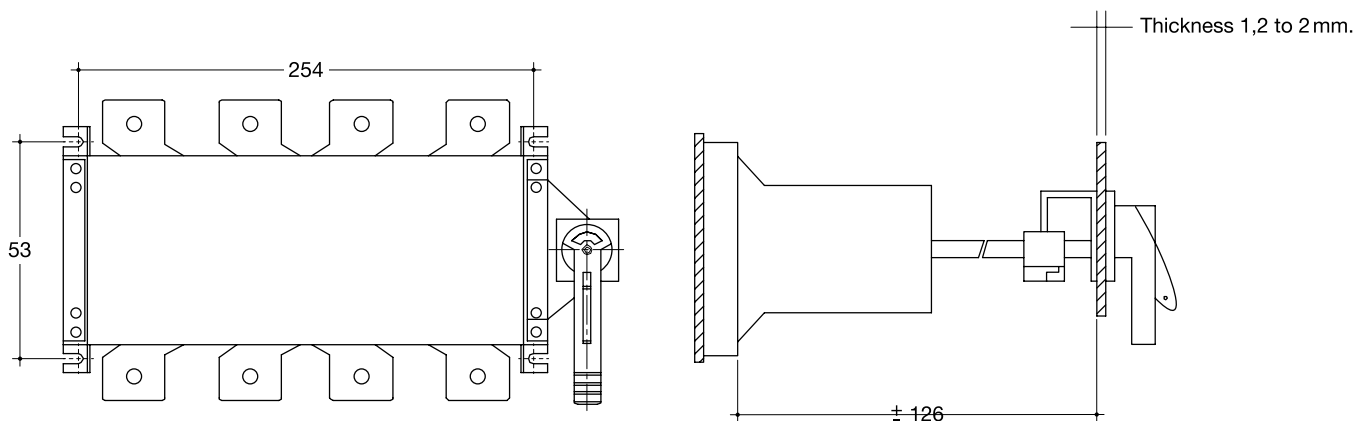


Technical characteristics

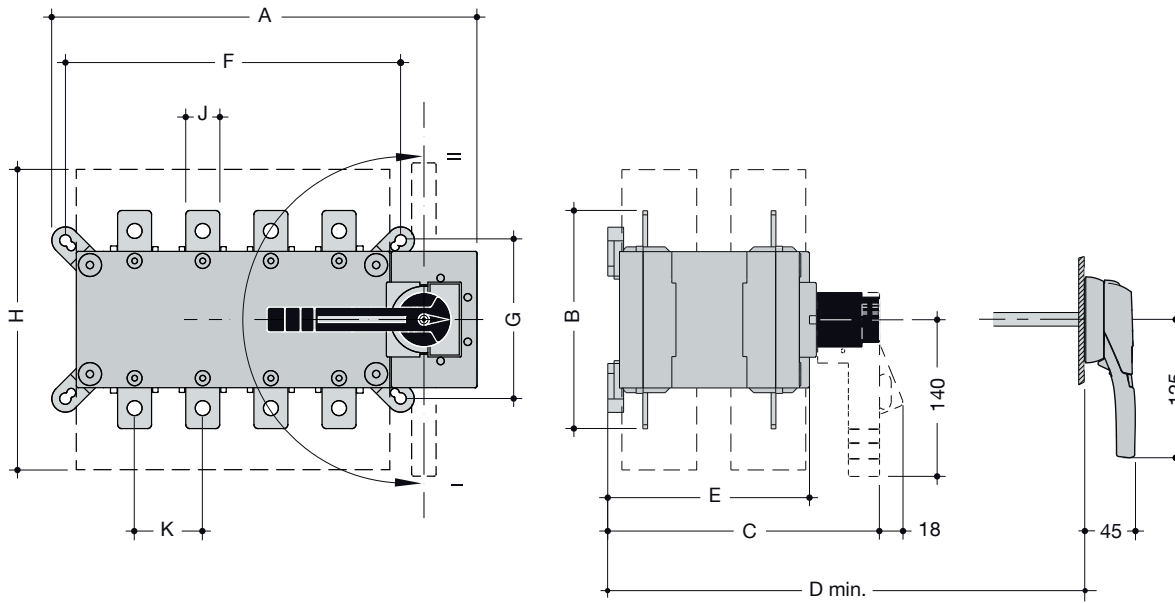
	HI403i	HI405i	HI451i	HI452i	HI453i	HI454i	HI455i	HI456i	HI458i	HI460i	HI461i	HI462i	HI464i
In	63 A	100 A	125 A	160 A	200A	250 A	315A	400 A	630 A	800 A	1000A	1250 A	1600 A
insulation voltage Ui (V)	750	750	800	800	800	800	1000	800	1000	1000	1000	1000	1000
impulse withstand voltage Uimp (kV)	6	6	8	8	8	12	12	8	12	12	12	12	12
Ie AC 22A / 22B, 400 V (A)	63	100	125	160	200	250	315	400	630	800	1000	1250	1600
Ie AC 23A / 23B, 400 V (A)	63	100	125	160	200	250	315	250	500	800	1000	1250	1600
operational power (kW) AC 23A à 400 V	30	30	63	80	80	132	132	220	280	450	710	710	710
short circuit current with gG DIN fuses (kA)	80	80	100	100	50	50	50	18	70	50	100	100	100
associated fuse rated (A)	63	100	125	160	200	250	315	400	630	800	1000	1250	2 x 800
rated short circuit making capacity Icm (kA peak)	15	15	12	12	12	17	22	15,3	30	48	75	75	86
rated short time withstand current Icw (kA/1s)	5	5	7	7	7	9	9	9	13	26	35	50	50
mechanical endurance (cycles)	10000	10000	10000	10000	10000	10000	10000	8000	5000	3000	10000	4000	4000
connection for lugs (mm ²)	16	25	50	95	120	150	240	240	2 x 300	2 x 300	4 x 185	4 x 185	6 x 185

Dimensions diagram (in mm)

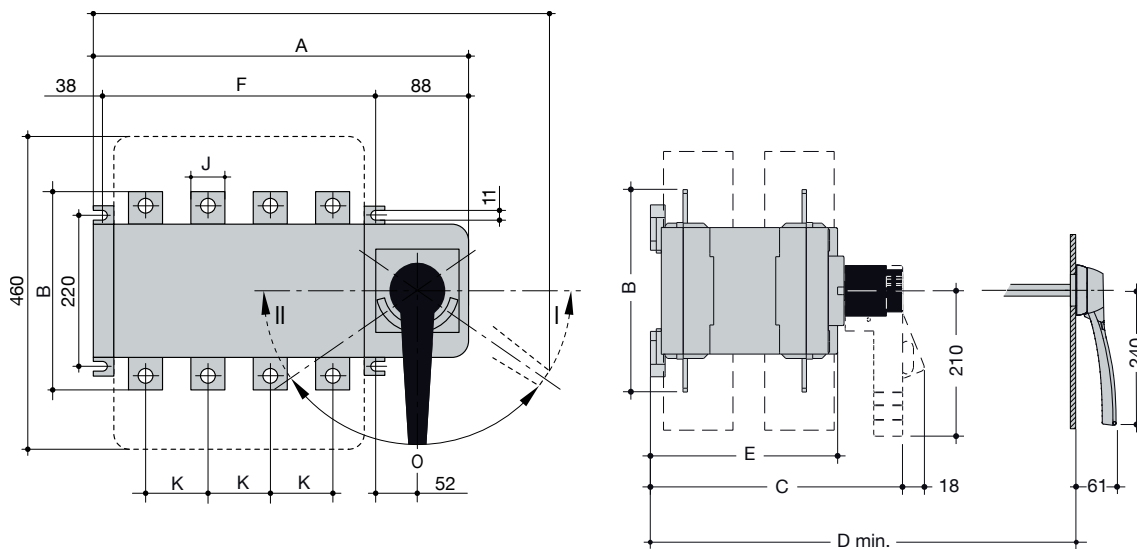
63A - 100A



125A - 630A



800A - 1600A



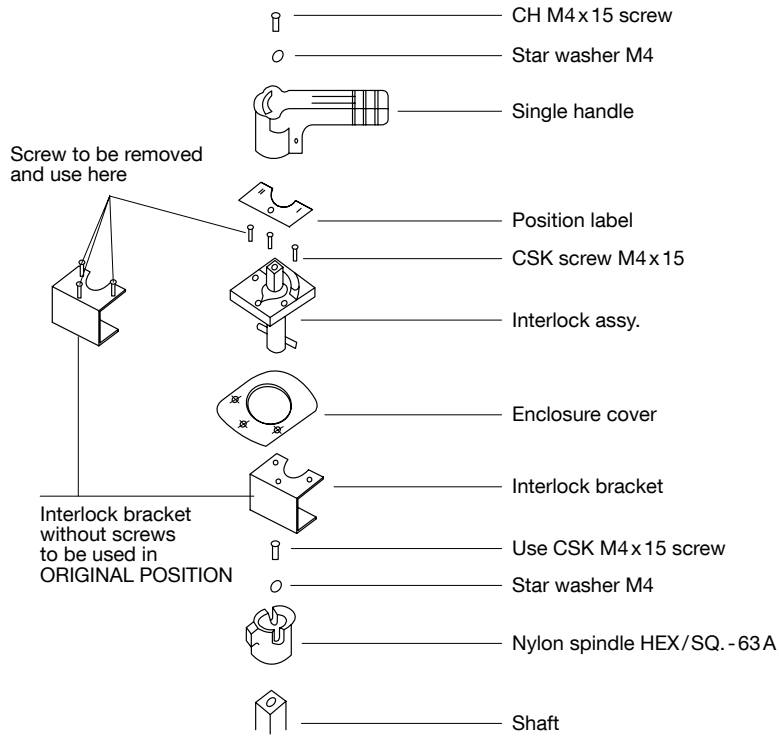
Dimensions (in mm)

	Rating	A	B	C	D	E	F	G	H	J	K	L
HI451I	125A	251	135	218	208	148	186	101	253	20	36	-
HI452I	160A	251	135	218	208	148	186	101	235	20	36	-
HI453I	200A	251	160	218	208	148	246	116	280	25	50	-
HI454I	250A	312	160	218	208	148	246	116	280	25	50	-
HI455I	315A	312	160	218	208	148	246	116	280	25	50	-
HI456I	400A	312	170	218	208	148	246	116	280	35	50	-
HI458I	630A	379	260	295	285	225	306	176	400	45	65	-
HI460I	800A	460	320	374	390	302	335	220	460	50	80	609
HI461I	1000A	312	160	218	208	148	246	116	280	25	50	-
HI462I	1250A	592	330	374	390	302	467	220	460	60	120	741
HI464I	1600A	592	360	374	390	302	467	220	460	90	120	741

Fixing of door interlock mechanism

Rating: 63A - 100A

Change over switch



Switch

Mounting

Rating: 125A - 630A

