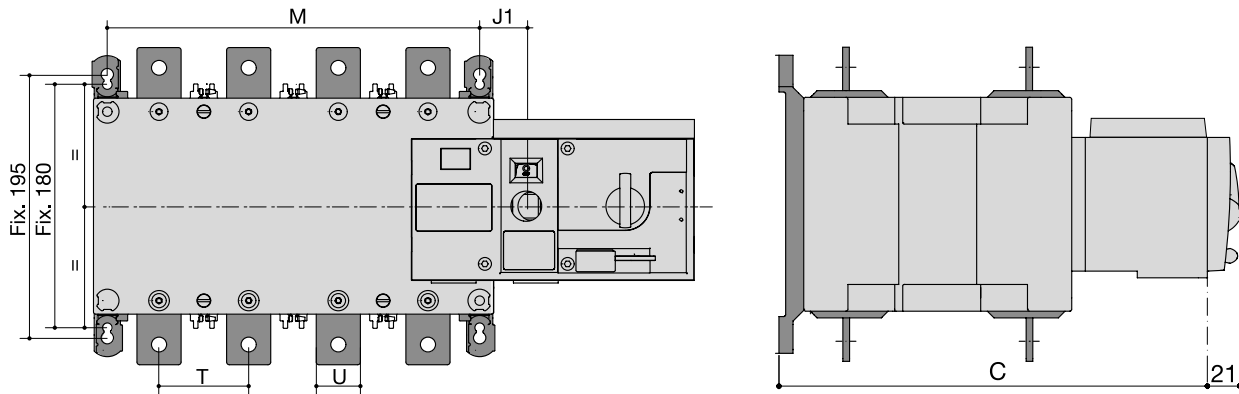


Technical characteristics

	HIB412I	HIB416I	HIB420I	HIB425I	HIB440I	HIB463I	HIB480I	HIB490I	HIB491I	HIB492I
rated current I _n	125 A	160 A	200A	250 A	400 A	630 A	800 A	1000 A	1250 A	1600 A
rated insulation voltage U _i (V)	800	800	800	1000	1000	1000	1000	1000	1000	1000
rated impulse withstand voltage U _{imp} (kV)	8	8	8	12	12	12	12	12	12	12
I _e AC 31B, 415 V (A)	125	160	200	250	400	630	800	1000	1250	1600
I _e AC 32B, 415 V (A)	-	-	-	200	400	500	800	1000	1250	1600
I _e AC 33B, 415 V (A)	-	-	-	200	200	400	800	1000	1250	1000
short circuit current with gG DIN fuses (kA)	100	100	50	50	50	50	50	100	100	100
associated fuse rated (A)	125	160	200	250	400	630	800	1000	1250	2 x 800
rated peak making capacity (kA peak)	20	20	20	30	30	45	55	55	80	110
rated short time withstand current I _{cw} (kA/1s)	7	7	7	8	8	10	26	35	50	50
mechanical endurance (cycles)	10000	10000	10000	8000	8000	5000	4000	4000	4000	3000
lugs connection (mm ²) MAX	50	95	120	150	240	2 x 300	2 x 300	4 x 185	4 x 185	6 x 185

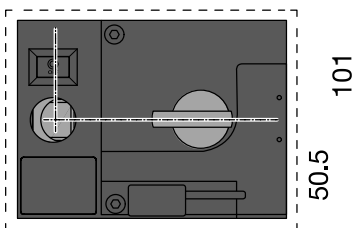
Automatic transfer switches

HIB412I - HIB463I



Door cut-out for front panel

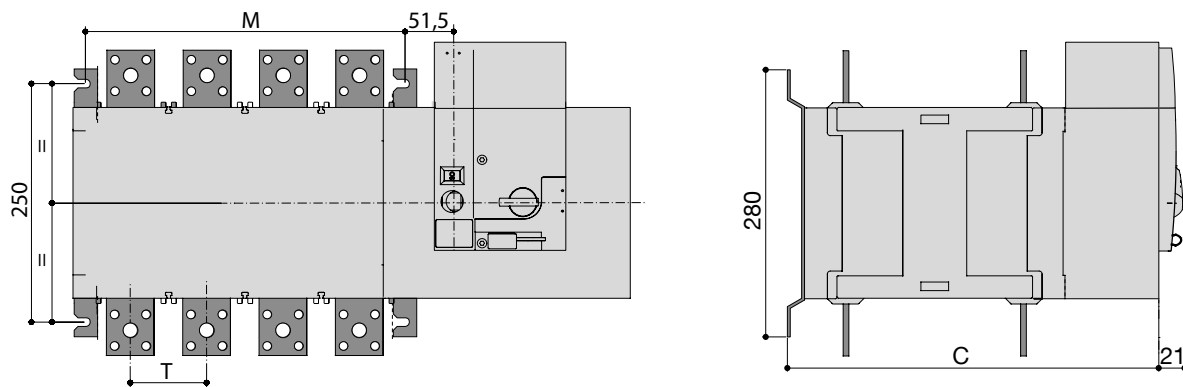
20



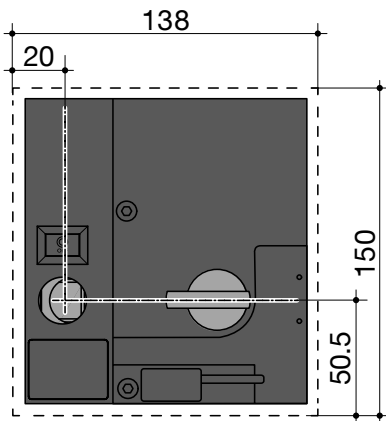
Dimensions (in mm)

	125A	160A	200A	250A	400A	630A
	4P					
J1	34	34	34	35	34	34
M	150	150	150	210	210	270
T	36	36	36	50	50	65
C	244	244	244	244	244	320
U	20	20	20	25	35	45
W	9	9	9	11	11	13
CA	10	10	10	15	15	20

HIB480I - HIB492I



Door cut-out for front panel



Dimensions (in mm)

	800A	1000A	1250A	1600A
	4P			
M	335	335	335	467
T	80	80	80	120
C	391	391	391	523