

## ONE WAY METAL ENCLOSUR WITH MCB

---



### Technical Data

- Texture finish, Powder coated to RAL9003.
- IP30 degree of protection.
- Suitable for flush and surface mounting.
- As per IS 8623.
- Available with Hager MCB.

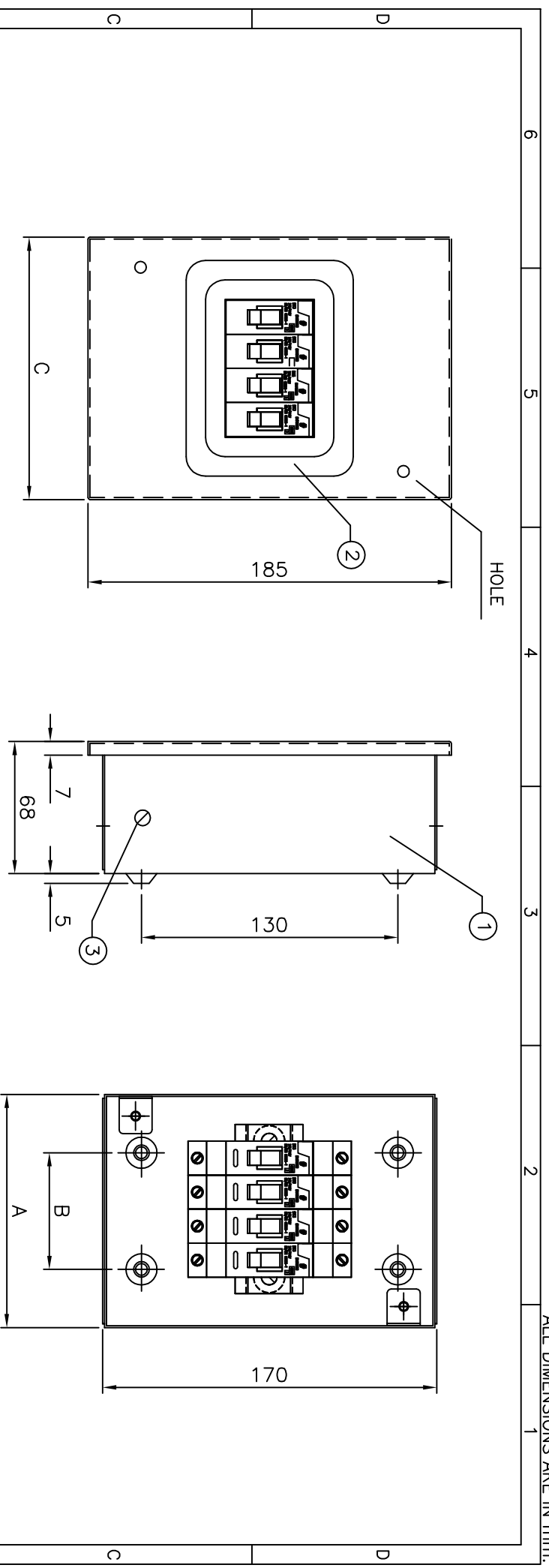
### Range

- 2 Way, 2 Modules
- 4 Way, 2 Modules

### Dimensions

- Standardized considering the dimensions of Hager MCB.
-

ALL DIMENSIONS ARE IN mm.



WAY	DIA 26 K, OUT			TOP	BOTTOM
	A	B	C		
2	85	40	100	1	1
3	120	60	135	1	1
4	120	60	135	1	1
6	155	95	170	2	2

1. BOX
2. SHIELD
3. EARTHING SCREW

NOTE - 1) MATERIAL USED IS 0.8 mm. THK. C.R.C.A. SHEET.  
 2) DEGREE OF PROTECTION = IP-30  
 3) POWDER COATED IN TEXTURE FINISH RAL-9003  
 4) SIDE PLATE - SPOT WELDING ( BOTH SIDE )

# EUROLFC ENERGY

TRACED:		REF:-	
DRAWN: <i>GDB</i>			
CHECKED:		TITLE-	
APPROVED:		IP30 METAL ENCLOSURE	
SCALE: 1 : 1		DRG.NO.-	
DATE: 13.03.14		EE-010	

